

ROOF BOWS: 3"
 INTERIOR HEIGHT: 84"
 MAIN SIZE: 5"

25	GEN COMPARTMENT			1
24	FUEL FILL COVER-Q9352			1
23	FUEL TANK	25GAL		1
22	HITCH-CABLES PLUS			1
21	HALOGEN SOCKET			2
20	LIGHT - FLUORESCENT	48" RECESSED		4
19	MOTORBASE	50 AMP		1
18	BREAKER BOX	50 AMP		1
17	OUTLET	120V 15A INTERIOR		4
16	FUEL FILL			1
15	GRAB HANDLE	GRAB HANDLE STD		1
14	GEN 8k DIESEL			1
13	TIRE COMPARTMENT			1
12	SCISSOR JACKS			4
11	JACK-DROP LEG	7000#		1
10	CONVERTER - 12VDC	55 AMP		1
9	BARD AC 2.5-3 TON			1
8	E-TRACK			2
6	ROOF VENT			1
4	DOME LIGHT	RECESSED		1
2	AXLE	5200# (78-94) 22.5DEG DOWN	STEEL	2
ITEM NO.	PART NUMBER	DESCRIPTION	MATERIAL	QTY.

BOM Table

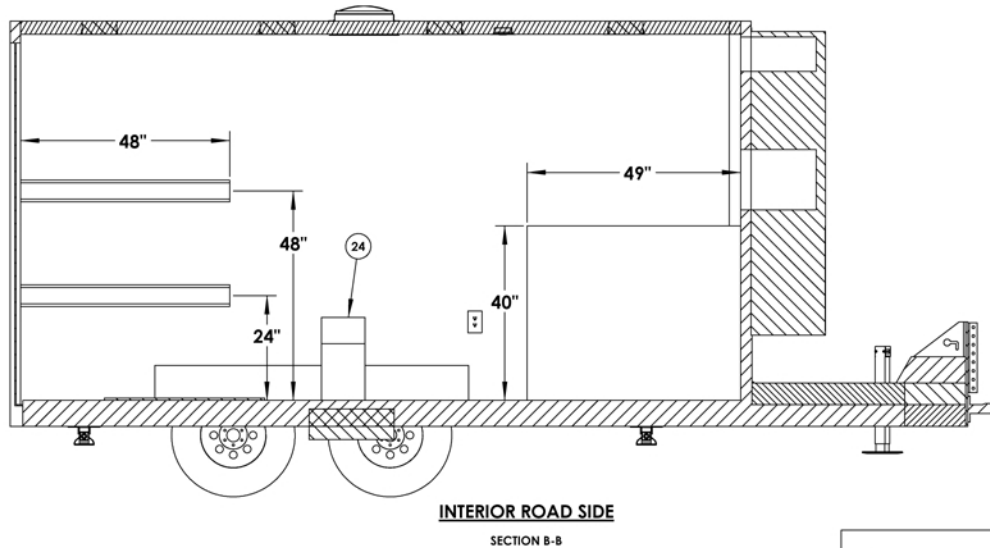
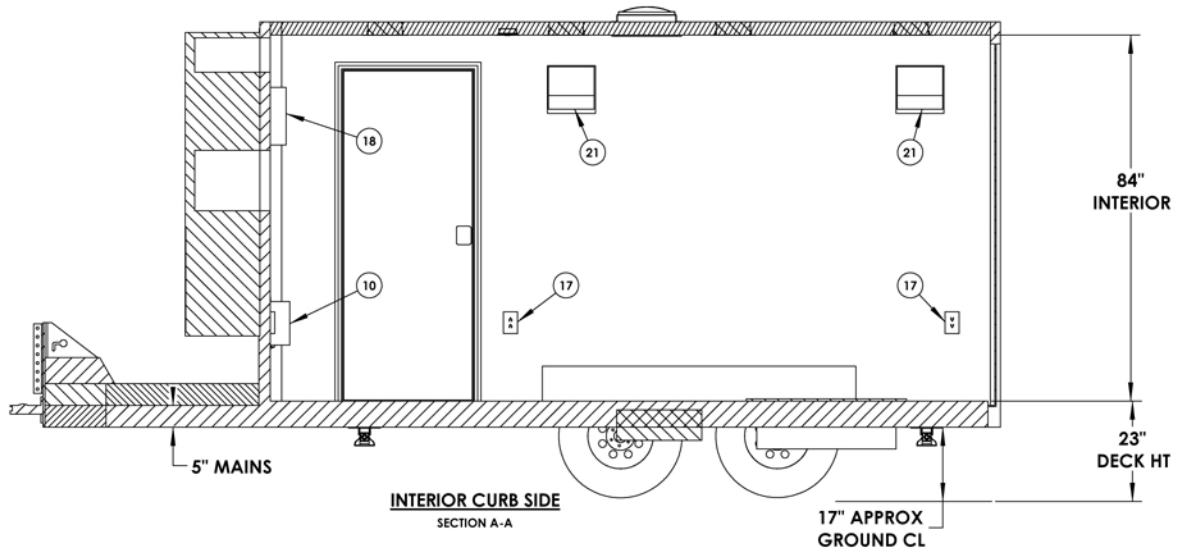
ALL LOCATIONS ARE NOMINAL UNLESS CRITICAL DIMENSIONS ARE SPECIFICALLY NOTED

PROPRIETARY AND CONFIDENTIAL:
 THE INFORMATION CONTAINED IN THIS DRAWING IS THE SOLE PROPERTY OF LIGHT WAVE MANUFACTURING. ANY REPRODUCTION IN PART OR AS A WHOLE WITHOUT THE WRITTEN PERMISSION OF THE ALUMINUM TRAILER COMPANY IS PROHIBITED.

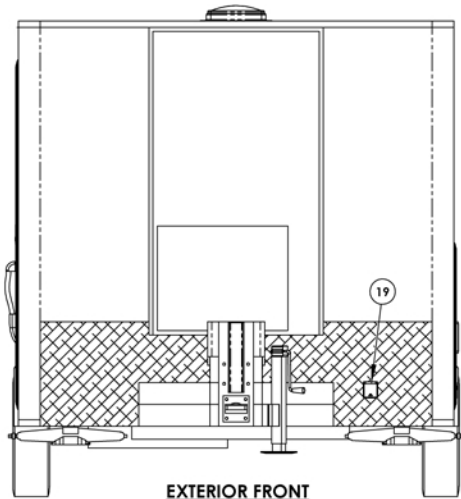


TITLE: 8.5' x 14' MSX			
DRAWN BY: STR	DATE: 2/16/10	VIN #	REV.
		Q9352	
FILE NAME: MH8514-CABLES PLUS-Q9352			
SCALE:1:16	DATE PRINTED: 2/18/2010	SHEET 1 OF 5	

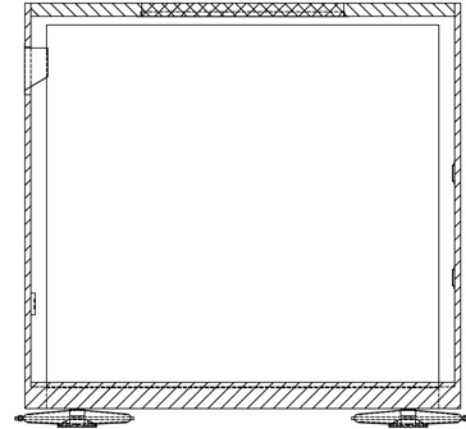
REV.	DESCRIPTION	DATE	DONE BY
	REVISION TABLE		
DWG PATH: C:\Users\shawnr\Desktop\Q9352 - Cables Plus\Engineering\			



				TITLE: 8.5' x 14' MSX	
DRAWN BY: STR	DATE: 2/16/10	VIN #	REV.	Q9352	
FILE NAME: MH8514-CABLES PLUS-Q9352					
SCALE: 1:17		DATE PRINTED: 2/18/2010		SHEET 2 OF 5	

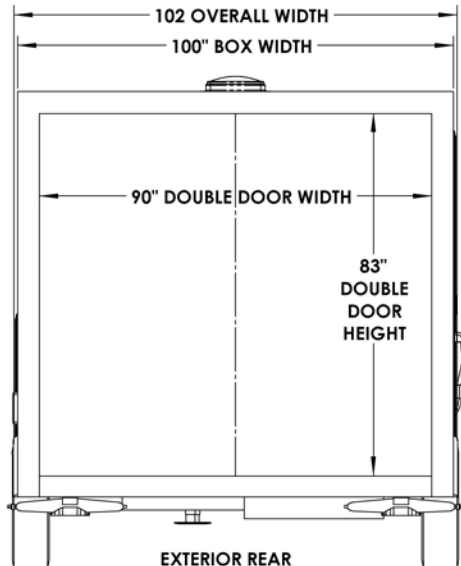


EXTERIOR FRONT

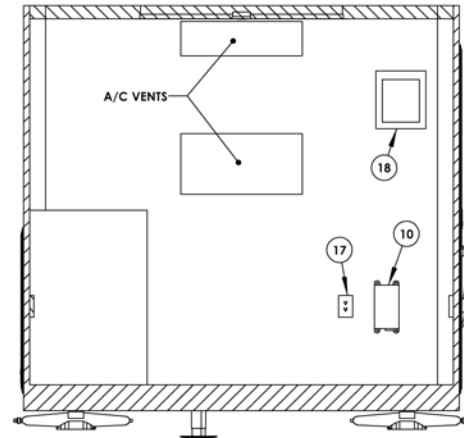


INTERIOR REAR

SECTION D-D



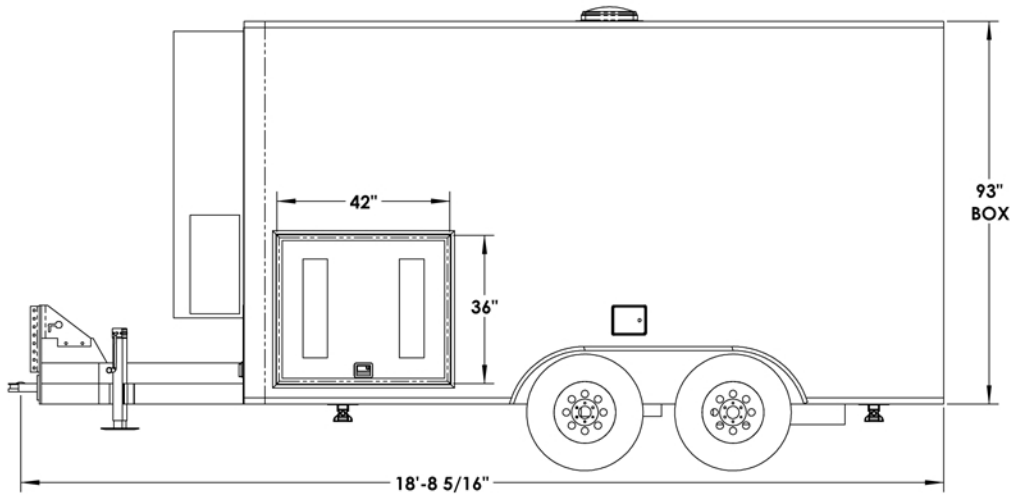
EXTERIOR REAR



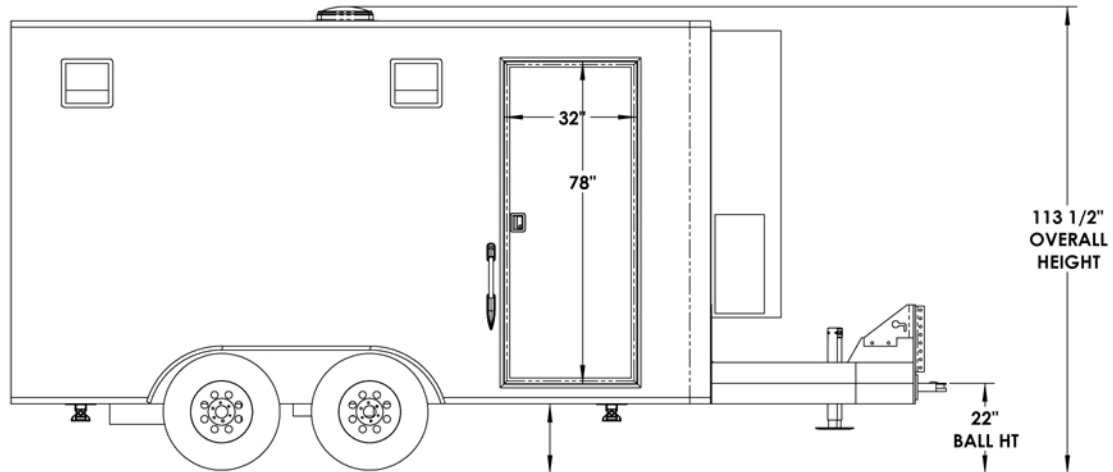
EXTERIOR REAR

SECTION C-C

	TITLE: 8.5' x 14' MSX		
	DRAWN BY: STR	DATE: 2/16/10	VIN # Q9352
	FILE NAME: MH8514-CABLES PLUS-Q9352		
	SCALE: 1:17	DATE PRINTED: 2/18/2010	SHEET 3 OF 5



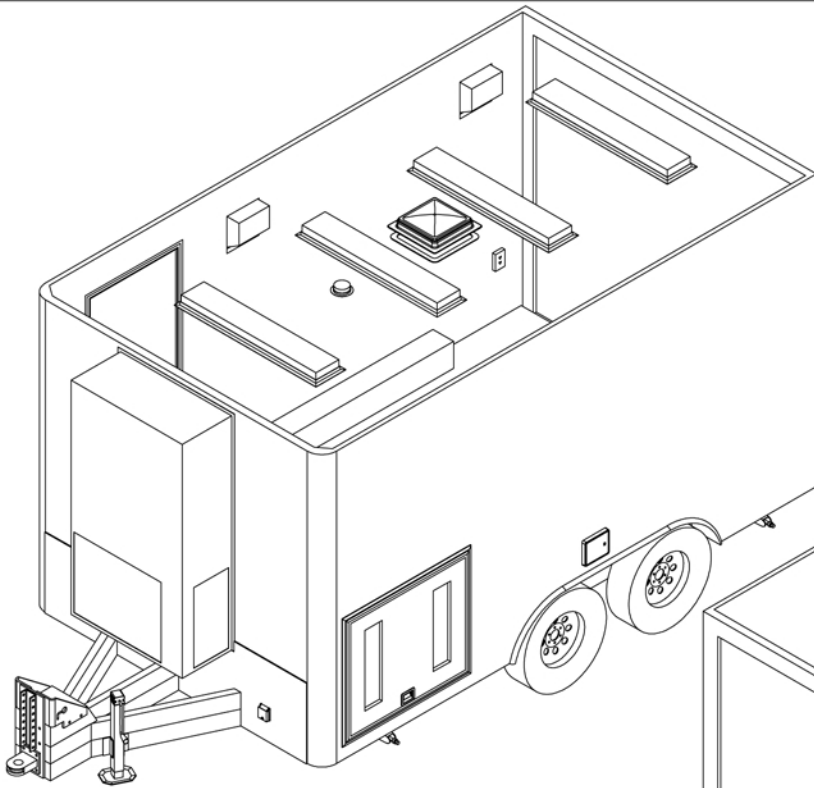
EXTERIOR ROAD SIDE



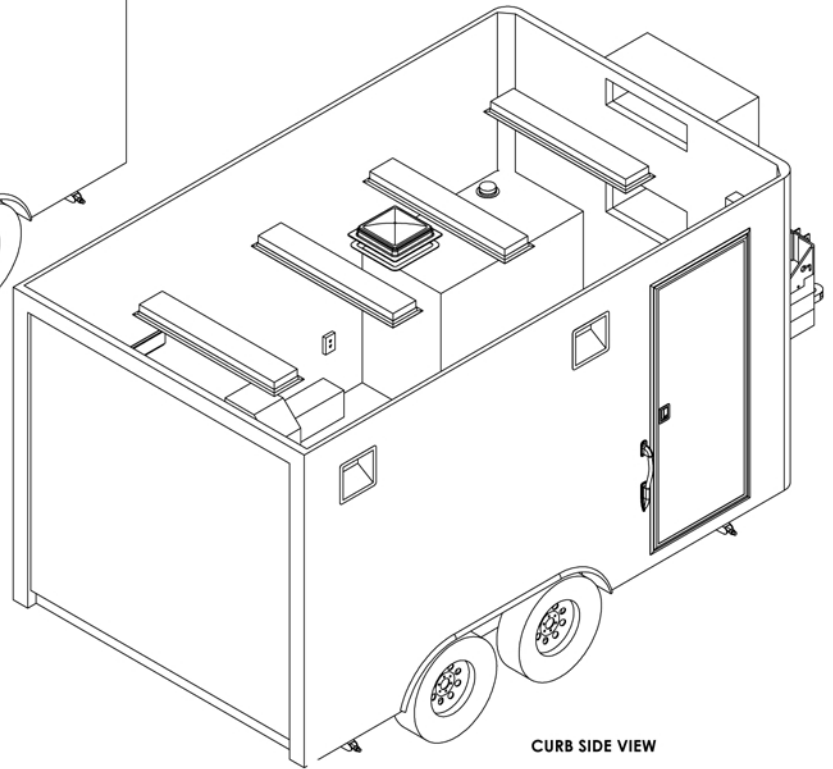
EXTERIOR CURB SIDE

TITLE: 8.5' x 14' MSX			
DRAWN BY: STR	DATE: 2/16/10	VIN #	REV.
			Q9352
FILE NAME: MH8514-CABLES PLUS-Q9352			
SCALE:1:18	DATE PRINTED: 2/18/2010	SHEET 4 OF 5	





ROAD SIDE VIEW



CURB SIDE VIEW



TITLE: 8.5' x 14' MSX			
DRAWN BY: STR	DATE: 2/16/10	VIN #	REV.
FILE NAME: MH8514-CABLES PLUS-Q9352		Q9352	
SCALE: 1:18	DATE PRINTED: 2/18/2010	SHEET 5 OF 5	