

INCH-POUND

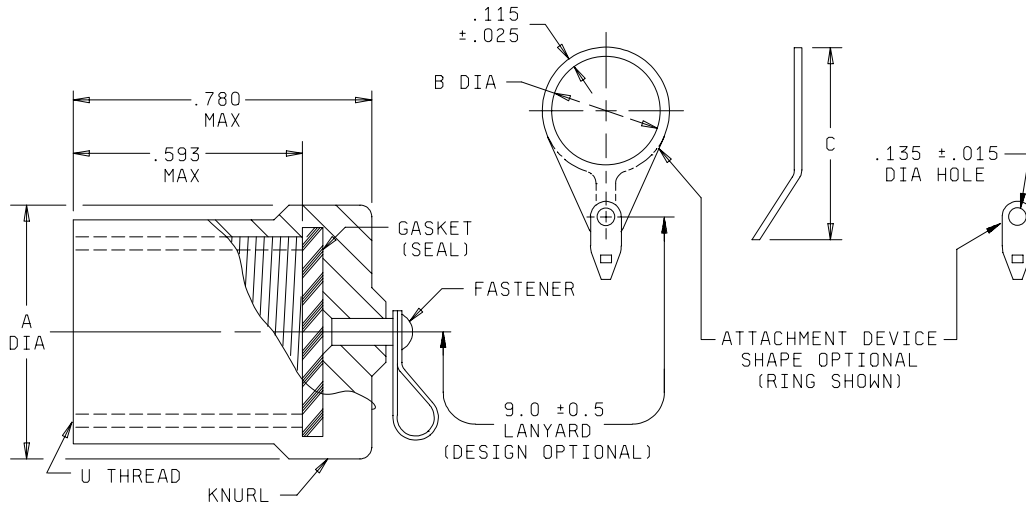
MIL-PRF-28876/15E  
4 October 2004  
SUPERSEDING  
MIL-C-28876/15D  
9 July 1992

PERFORMANCE SPECIFICATION SHEET

CONNECTORS, FIBER OPTIC, CIRCULAR, RECEPTACLE STYLE,  
MULTIPLE REMOVABLE TERMINI, DUST COVER,  
SCREW THREADS, ENVIRONMENT RESISTING

This specification is approved for use by all Departments  
and Agencies of the Department of Defense.

The requirements for acquiring fiber optic connectors described  
herein shall consist of this specification sheet and MIL-PRF-28876.



Inches	mm	Inches	mm
.005	0.13	.062	1.57
.010	0.25	.115	2.92
.015	0.38	.135	3.43
.025	0.64	.593	15.06
.030	0.76	.780	19.81
.050	1.27	1.000	25.40
		9.000	228.60

FIGURE 1. Receptacle dust cover.

MIL-PRF-28876/15E

Shell size	U thread Class 2B	A dia max		B dia		C max	
		Inches	mm	Inches	mm	Inches	mm
11	.750-.1P-.2L-D.S	1.028	26.11	.900 .880	22.86 22.35	1.800	45.72
13	.875-.1P-.2L-D.S	1.141	28.98	1.025 1.005	26.03 25.53	1.950	49.53
15	1.062-.1P-.2L-D.S	1.263	32.08	1.215 1.195	30.86 30.35	2.050	52.07
23	1.500-.1P-.2L-D.S	1.703	43.26	1.650 1.630	41.91 41.40	2.690	68.33

NOTES:

1. Dimensions are in inches.
2. Dimensions apply to plated/finished part.
3. Metric equivalents are given for general information only.

FIGURE 1. Receptacle dust cover - Continued.

REQUIREMENTS:

Dimensions and configuration: See figure 1.

Weight: 2.5 ounces (70.875g) maximum.

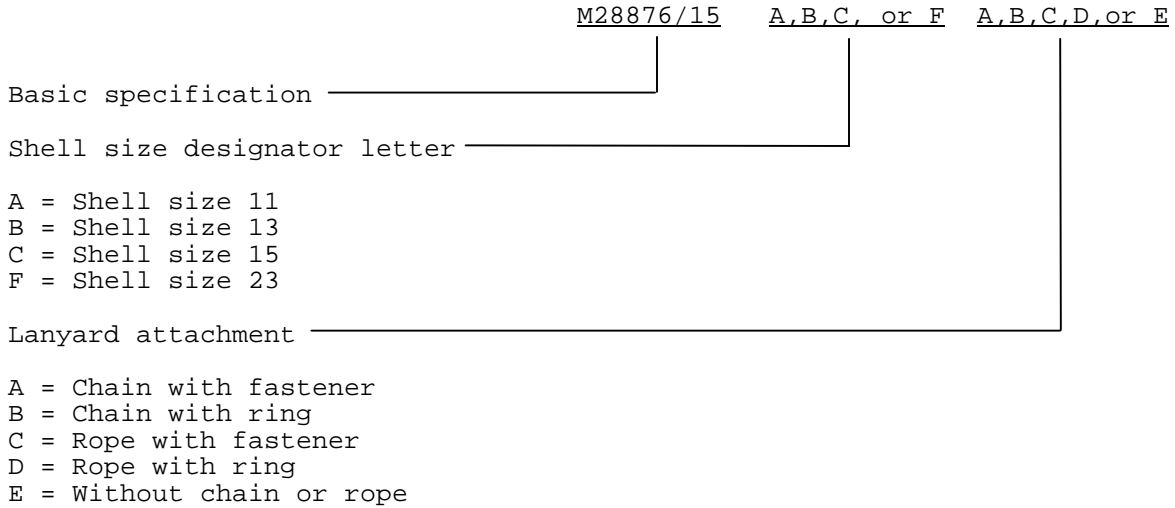
Lanyard shall be free to rotate on fastener.

Gasket shall be mechanically captive to the cover.

MIL-PRF-28876/15E

Marking:

Part or Identifying Number (PIN):



PIN example: M228876/15-AB.

Marginal notations are not used in this revision to identify changes with respect to the previous issue due to the extent of the changes.

CONCLUDING MATERIAL

Custodians:

- Army - CR
- Navy - SH
- Air Force - 11
- DLA - CC

Preparing activity:

Navy-SH

Agent:

DLA - CC

Review activities:

- Navy - AS
- Air Force - 02, 03, 13, 19, 33, 93, 99
- DIA - DI
- NASA - NA

(Project 6060-0144-15)

NOTE: The activities listed above were interested in this document on the date of this document. Since organizations and responsibilities can change, you should verify the currency of the information above using the ASSIST Online database at <http://www.dodssp.daps.mil/>.