

METRIC

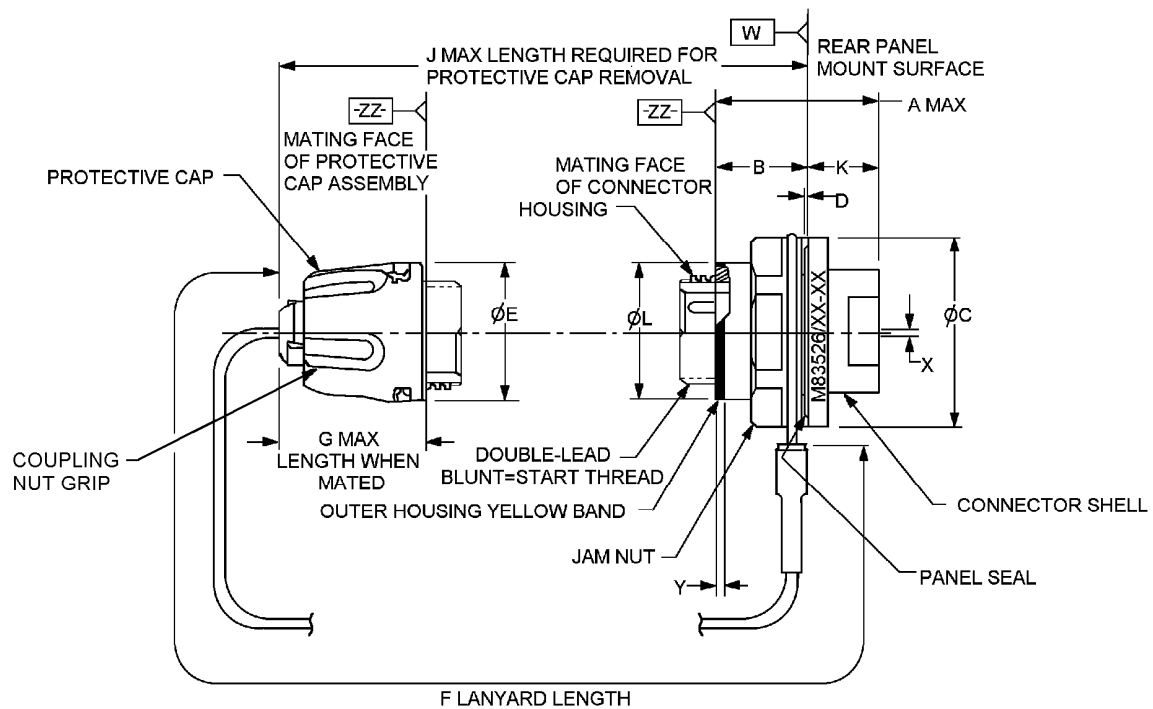
MIL-DTL-83526/21
28 August 2008

DETAIL SPECIFICATION SHEET

CONNECTOR, FIBER OPTIC, CIRCULAR HERMAPHRODITIC, BULKHEAD, LOW PROFILE
WITHOUT STRAIN RELIEF, JAM-NUT MOUNT, 2 AND 4 POSITIONS, EXPANDED BEAM

This specification is approved for use by all
Departments and Agencies of the Department of Defense.

The requirements for acquiring the product described herein
shall consist of this specification sheet and MIL-DTL-83526



NOTE: See table I for dimensional values.

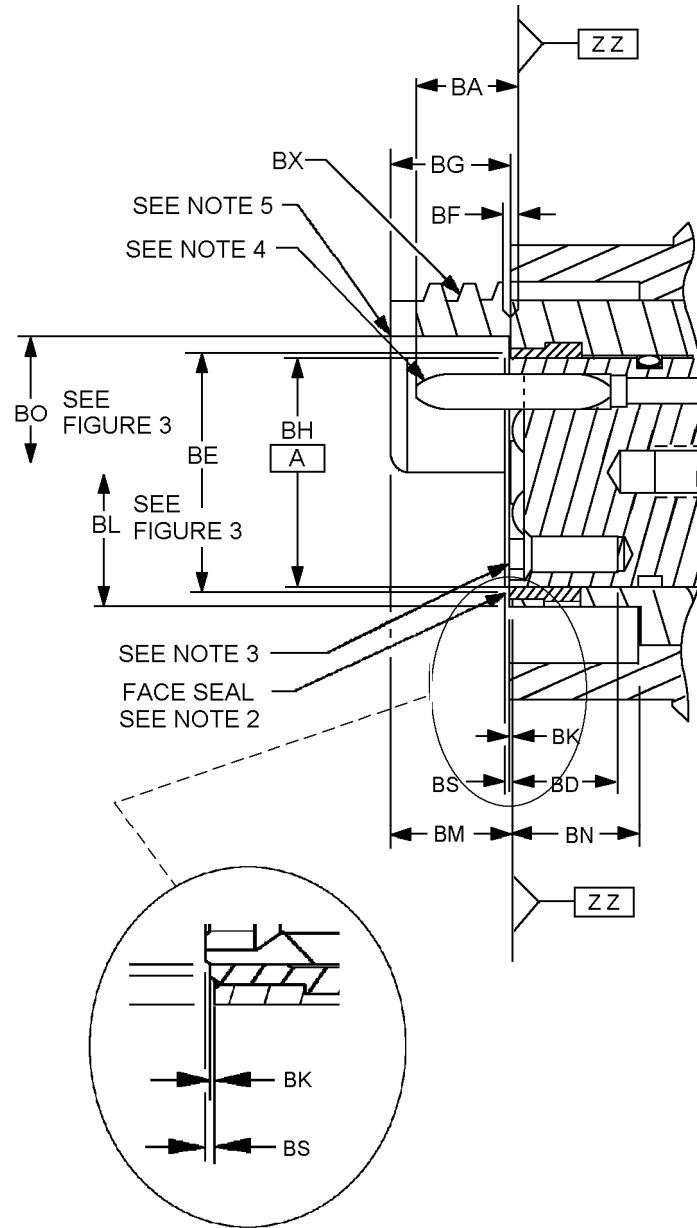
FIGURE 1. Jam-nut mount low-profile bulkhead hermaphroditic connector with protective cap.

TABLE I. Jam-nut mount bulkhead hermaphroditic connector with protective cap dimensions.

Designator	Descriptions	Dimensions			
		Maximum		Minimum	
		mm	inches	mm	inches
A	Length from mating face to back end of connector shell	32.2	1.27	---	---
B	Length from mating face to connector panel-mount surface	18.5	.73	17.5	.69
C	Diameter of connector panel flange	37	1.46	---	---
D	Panel seal compression	0.6	.02	0.3	.01
E	Diameter of protective cap coupling nut	27.2	1.07		
F	Length of lanyard <u>2/</u>	---	---	---	---
G	Length from mating face to installed end of protective cap	25	.98	---	---
H	Length from end of installed protective cap to connector panel-mount surface	47	1.85	---	---
J	Length required from panel mounting surface for protective cap removal	62	2.44	---	---
K	Length of connector rearward from rear panel mounting surface	14.4	.57	---	---
L	Diameter of outer housing mating sleeve	26.7	1.05	---	---
X	Diameter of individual fiber optic cables	1.5	.06	---	---
Y	Width of yellow band	2	.08	---	---

1/ Inch equivalents may contain rounding inaccuracies and are given for reference purposes only.

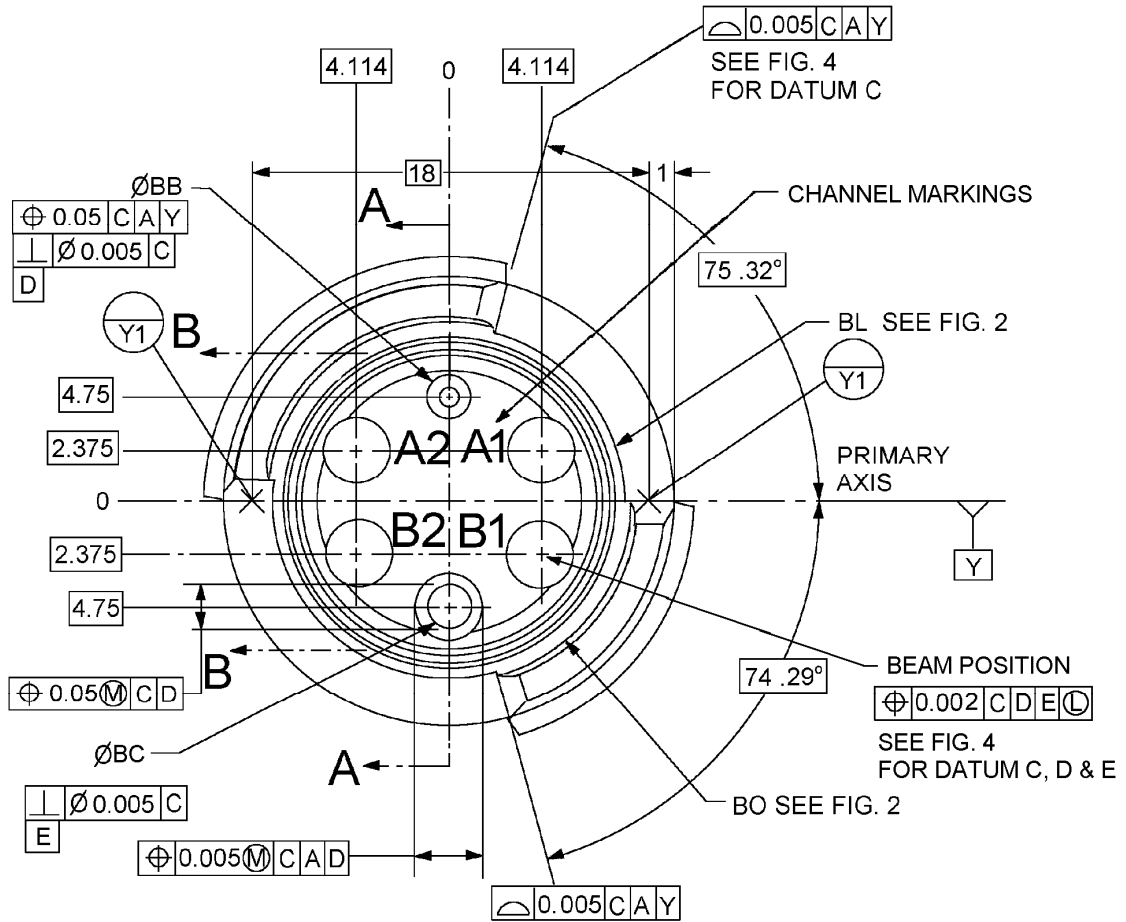
2/ Lanyard length to be minimum necessary to facilitate ease of installation and removal of dust cap.



NOTES:

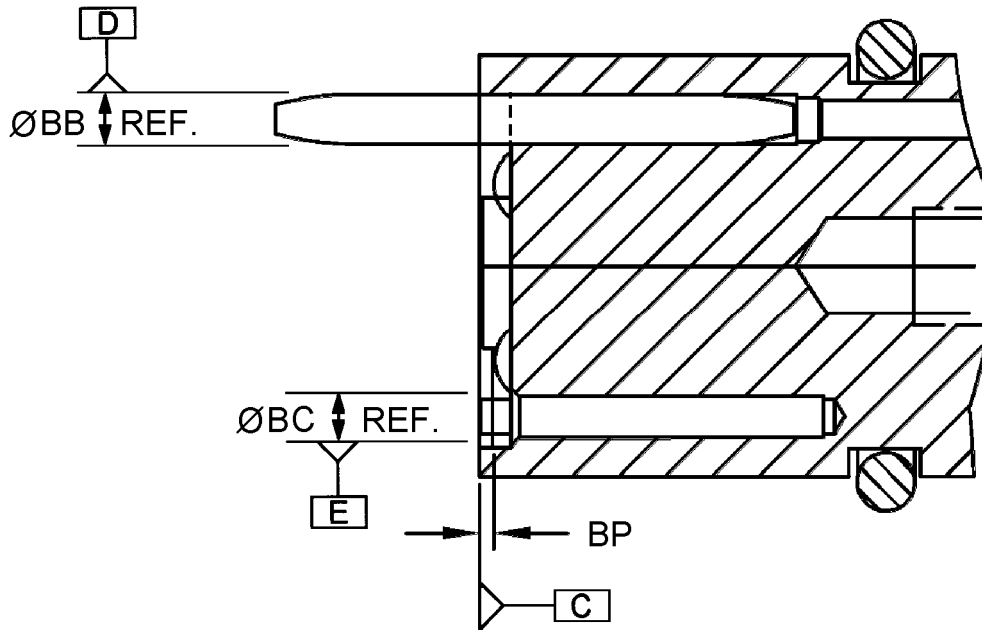
1. See table II for dimensions.
2. Face seal configuration optional provided all performance requirements are met.
3. Chamfer 2.6 mm OD min X 45°.
4. Pin geometry is optional provided all performance requirements are met.
5. Break all sharp edges.

FIGURE 2. Bulkhead connector interface dimensions (section view A-A, see figure 3).



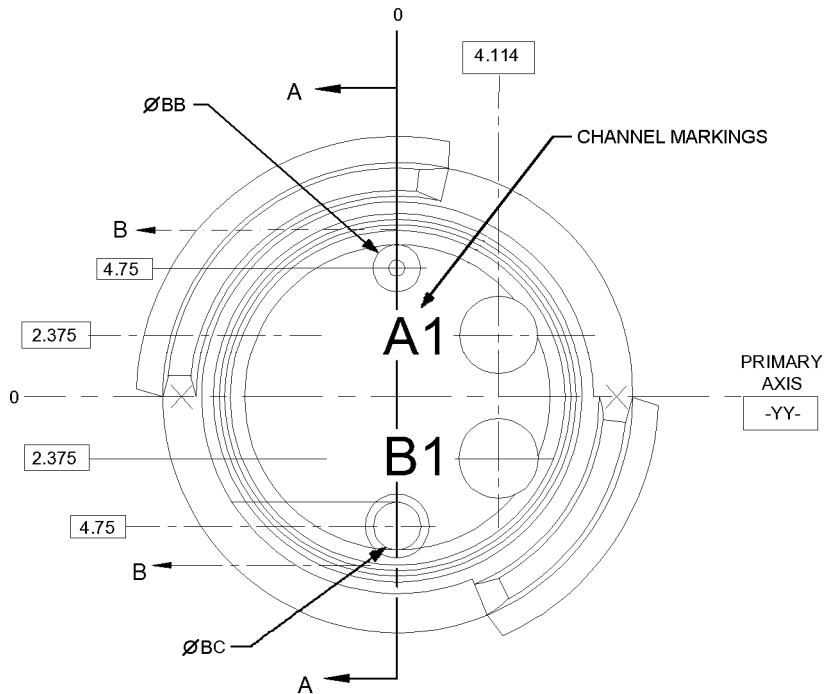
NOTE: See table II for dimensional values.

FIGURE 3. Connector mating face dimensions.



NOTE: See table II for dimensional values.

FIGURE 4. Expanded beam insert (section view B-B, see figure 3).



NOTE: See table II for dimensional values.

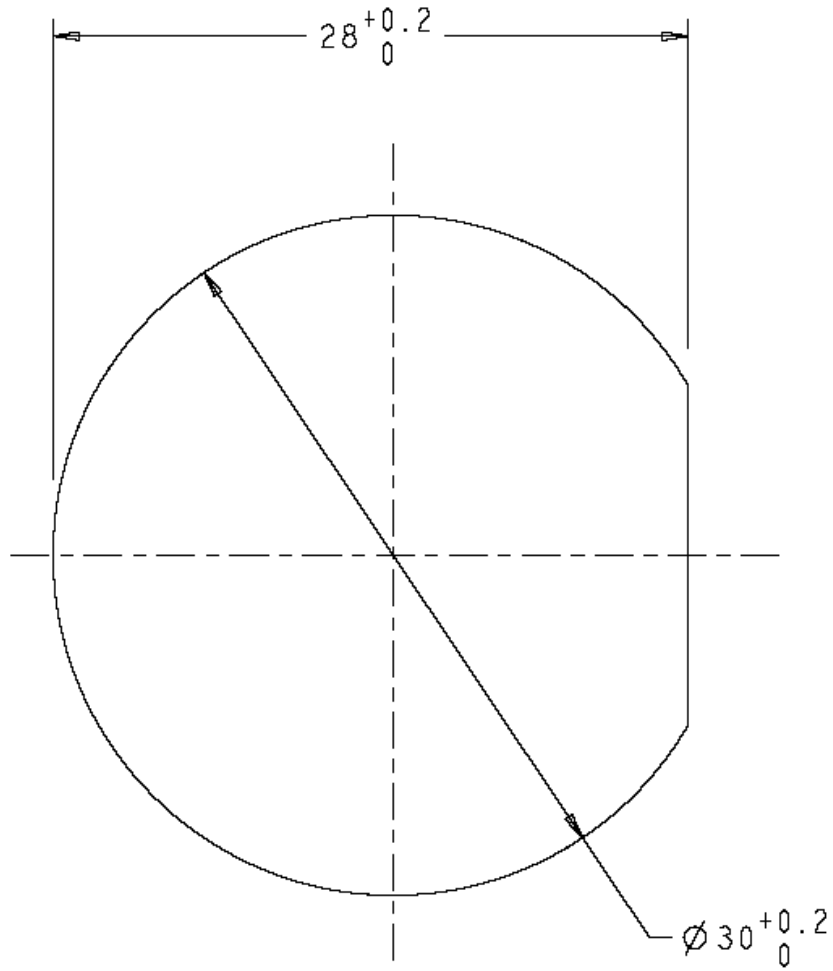
FIGURE 5. Connector mating face dimensions (2 channel).

TABLE II. Bulkhead connector interface dimensions.

Designator	Descriptions	Dimensions <u>1/</u>			
		Maximum		Minimum	
		mm	inches	mm	inches
BA	Alignment pin protrusion	5.1	.20	---	---
BB	Alignment pin diameter	2	.08	1.998	.078
BC	Alignment receptacle diameter	2.018	.079	2.013	.079
BD	Alignment receptacle depth			5.3	.21
BE	Facial seal diameter centerline	13.97	.550	13.945	.594
BF	Facial seal protrusion from front housing	0.35	.01	0.1	.00
BG	Front housing thread length	7.1	.28	6.9	.27
BH	Insert outer diameter	13.34	.525	13.29	.523
BK	Offset between connector mating face and front edge of outer housing	+0.3	+.01	-0.3	-.01
BL	Front housing flange recess diameter	15.6	.61	15.5	.61
BM	Front housing threaded flange protrusion	7.1	.28	6.9	.27
BN	Front housing flange recess depth	7.6	.30	7.3	.29
BO	Threaded flange protrusion inside diameter	15.95	.627	15.85	.624
BP	Lens surface recess depth from insert mating face	0.5	.02	0.35	.014
BS	Insert mating face protrusion	0.4	.02	0.2	.01
BR	Optical axis position tolerance	See figure 4 feature control frame			
BX	Front housing thread	Tr 22.02 x 4 (P2) – Modified external thread, in accordance with ISO 2903, Minor diameter: 20.14/20.04 mm (.793/.789 inches) Major diameter: 22.02/21.92 mm (.867/.863 inches) Pitch diameter: 20.812/20.638 mm (.819/.812 inches)			

1/ Dimensions are given in mm. NOTE; inch measurements are provided for reference and as a result of rounding inaccuracies could prevent Interchangeability.

2/ Focal length is analytically derived through optical modeling (ZEMAX or equivalent).



Millimeter	Inch
0.2	.0079
28	1.10
30	1.18

NOTES:

1. There is a rotational relationship between D-flat and connector mating face as shown in figure 4.
2. Panel thickness: 6.5 mm (.25 inches) maximum to 3 mm (.11 inches) minimum.

FIGURE 6. Recommended panel cutout

REQUIREMENTS:

Dimensions required for intermateability: See figure 2 through figure 5 and table I and table II. Features not defined do not directly impact intermateability.

Materials: See table III. All materials must meet nuclear, biological and chemical decontamination requirements described herein.

TABLE III. Materials. 1/

Part description	Material	Finish <u>2/</u>
Insert body	ARCAP AP1D or 303 SS	None
Alignment pin	316 stainless steel	Passivated
Facial seal	Fluorosilicone rubber <u>3/</u>	None
Panel seal	Fluorosilicone rubber <u>3/</u>	None
Front housing	Aluminum 6082-T6, 6061-T6 or 2042 as long as T3 or T4 is not used	Teflon impregnated hard anodize or hard anodize; reference MIL-A-8625 <u>4/</u>
Connector shell	Aluminum 6082-T6, 6061-T6 or 2042 as long as T3 or T4 is not used	Olive green chromate conversion coated zinc in accordance with ASTM B633 over electroless nickel in accordance with ASTM B733
Jam nut	Aluminum 6082-T6, 6061-T6 or 2042 as long as T3 or T4 is not used	Olive green chromate conversion coated zinc in accordance with ASTM B633 over electroless nickel in accordance with ASTM B733
Protective cap <u>5/</u>	Nylon, aluminum 6082-T6, 6061-T6 or 2042 as long as T3 or T4 is not used	None
Lanyard	Nylon over galvanized steel or stainless steel stranded wire	N/A

- 1/ All materials and plating must meet material compatibility requirements of MIL-STD-889 for the connector body material.
- 2/ All finishes must meet the color requirements and pass all environmental requirements.
- 3/ Material optional provided all performance requirements are met.
- 4/ Provided performance requirements are met.
- 5/ Grip features are required on the coupling nut and dust cap and shall provide for sufficient hand grip to facilitate coupling and uncoupling.

Epoxy: Epoxy is not furnished with the connector. When used, epoxy shall meet the requirements of MIL-DTL-83526. Cure according to manufacturer's recommended time and temperature profile.

Threads: Applicable, except that the separable interface coupling mechanism shall employ a modified metric trapezoidal thread as detailed in figure 2 and table II.

Protective cap: Protective cap shall:

- a. Mate with the connector and with protective caps.
- b. Pass crush test when mated with a connector and when mated with another protective cap.
- c. Pass the impact test when mated with a connector.

Lanyard: Lanyard length to be minimum necessary to facilitate easy installation and removal of the dust cap. Lanyard shall not be attached to the coupling nut. Lanyard coating must meet nuclear, biological and chemical decontamination requirements as described herein.

Termini: Termini are not exposed at the separable interface and may be unique in design between manufacturers.

Cable service loop: Provision for cable service loop is not required.

Tools: Tools are not supplied with the connector, but shall be available from the manufacturer.

Thread lubricant: Thread lubricants used in the construction of the connectors shall satisfy the following criteria:

- a. Lubricants shall be permanent and shall not require replacement during the lifetime (see mating durability) of the connector.
- b. Lubricants shall not migrate to the optical interfaces resulting in the degradation of optical performance.
- c. Lubricants shall be useful over the environmental conditions specified herein.
- d. Lubricants shall not be affected by cleaning solvents.

Insertion loss: When tested in accordance with TIA/EIA-455-171, method D3, the maximum per channel attenuation for any single specimen before and after test shall be 2.0 dB for multimode applications and 2.5 dB for single mode applications.

Discontinuities: Applicable, except testing shall be in accordance with TIA/EIA-455-32 test condition A. A discontinuity shall be a reduction of strength of 0.5 dB or more for a duration of 1 μ s or more.

Crosstalk: Applicable, except test in accordance with EIA/TIA-455-42: FOTP-42, -60 dB maximum.

Return loss: Applicable for single mode only. The return loss of any single mode mated pair of connectors shall be not less than 31 dB for any channel and shall be not less than 34 dB for any unmated channel.

Beam diameter: Beam diameter shall be analytically derived through optical modeling (ZEMAX or equivalent).

Focal length: Focal length shall be analytically derived through optical modeling (ZEMAX or equivalent) and shall be within the limits specified in table IV.

MIL-DTL-83526/21

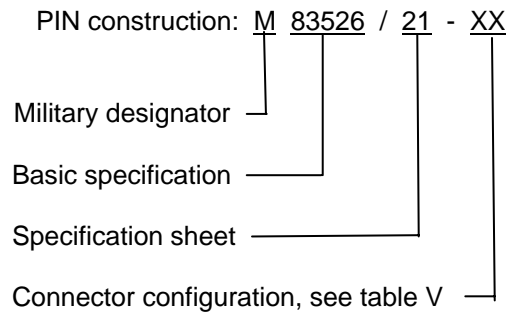
TABLE IV. Focal length

Mode	Focal length mm	
	Min	Max
SM	1.5	1.7
MM	1.6	1.7

Weight: 300.5 grams (10.6 ounces) maximum.

Color: Non-reflective brown, non-reflective green, non-reflective black and non-reflective grey camouflages are acceptable colors. Cadmium is not permitted. No color is specified for the insert.

Identification marking:



PIN shall be applied to outer housing flange.

Identify channels on both ends of the inserts (see figure 3 and figure 5).

Yellow Indicator Band: Shall be applied to the exposed outside diameter of the connector outer housing in the area between the front edge and the jam nut threads.

“Fiber-Optics” Phrase: Shall be applied to the outer housing flange, side opposite from the PIN.

TABLE V Connector configuration.

83526/21-XX	Channels	Fiber cladding size	Figure	Wavelength ± 30 nm	Mode
-01	4	125	5	850/1,300 nm	multi
-02	4	125	5	1,310 nm	single
-03	4	125	5	1,550 nm	single
-04	2	125	6	850/1,300 nm	multi
-05	2	125	6	1,310 nm	single
-06	2	125	6	1,550 nm	single

MIL-DTL-83526/21

Channel location identification: Same as terminus location identification requirement, except location marking shall be adjacent to lens (see figure 3 and figure 5).

Lens cleaning: Each lens shall be cleaned in accordance with instructions supplied by the connector manufacturer. The lens shall not be removed from its operational position within the connector to facilitate cleaning. After cleaning, the identification marking requirements shall be met; also the requirements of insertion loss shall be met before and after the test.

Insert retention axial strength: Applicable with the exception that the force shall be applied to front (lens) side of insert only.

Insert retention radial strength: Applicable with the exception that the torque of 3.4 N m (30 inch pounds) shall be applied between the shell body and the insert utilizing the guide pin and guide pin hole of the insert.

Terminus retention force: Not applicable.

Terminus insertion and removal forces: Not applicable.

Maintenance aging: Not applicable.

Coupling force: 1 kg (2.2 pounds) maximum. Fully mated condition exists when all channels operate optically as installed.

Coupling torque: 44.3 inch-pounds (5 N-m) maximum

Temperature requirements:

Operating temperature range: -54°C to 71°C (-65°F to 160°F).

Transit temperature range: -54°C to 71°C (-65°F to 160°F).

Storage temperature range: -57°C to 85°C (-70°F to 185°F).

Mating durability: Applicable except after 1,000 cycles, the connector shall show no defects detrimental to the operation of the connector and shall pass mating forces and coupling torques tests. After an additional 2,000 cycles, the connector shall pass the insertion loss test.

Impact: Not applicable.

Twist: Not applicable.

Cable seal flexing: Not applicable.

Cable retention: Not applicable.

External bending moment: Applicable, except the insertion loss of each optical path shall be measured before, during, and after the test.

Thermal shock: Applicable, except test in accordance with TIA/EIA-455-71, Schedule C for 10 cycles, with high and low test temperatures of +85°C and -57°C, respectively. Insertion loss shall be measured before and after test.

Shock: Applicable, except test condition A shall be utilized.

Salt spray: Applicable in accordance with TIA/EIA-455-16 test condition C. Connector shall be mounted in the outer wall of a sealed enclosure to prevent water exposure to the rear of the connector.

Fungus resistance: Applicable in accordance with basic document (MIL-DTL-83526). Following the test, examination of the test samples shall reveal no evidence of deterioration of component parts or constituent materials that will adversely affect performance.

Fluid Immersion: Applicable, except the receptacle shall be mounted in the outer wall of a sealed enclosure to prevent fluid exposure to the rear of the receptacle.

Freezing water immersion: Applicable, except the connector shall be mounted in the outer wall of a sealed enclosure to prevent water exposure to the rear of the connector.

Water immersion: In accordance with EIA/TIA-455-74 at a depth of 15 m (590.5 inches) for a duration of 24 hours. Receptacle shall be mounted in the outer wall of a sealed enclosure to prevent water exposure to the rear of the receptacle. Receptacle shall be tested mated to a plug cable connector and also with the protective cap. There shall be no evidence of water penetration into the separable interface area of the receptacle or through the receptacle to the interior of the enclosure.

Sand and dust: Applicable, except the connector shall be mounted in the outer wall of a sealed enclosure to prevent sand and dust exposure to the rear of the connector.

Mud test: Applicable, except the connector shall be mounted in the outer wall of a sealed enclosure to prevent mud exposure to the rear of the connector.

Sample size: Eight jam-nut low-profile bulkhead-mount connectors with sufficient mating connectors to test.

Assembly instructions: Assembly instructions shall include:

- a. Cable preparation-stripping dimensions and tolerances.
- b. Military PIN and manufacturer's part number.
- c. Lens cleaning procedures.
- d. List and description of crimping or special tools required.
- e. Sufficient pertinent dimensions for verification of correct parts; as minimum the entry openings shall be specified.
- f. Any polishing requirements and fiber preparation requirements.

Conformance and periodic inspection:

Conformance inspection sample unit preparation: Applicable, except in cases where no MIL-PRF-85045 qualified sources exist, cable shall be specified by the qualifying activity (<mailto:vqp.chief@dla.mil>).

QUALIFICATION INSPECTION

Qualification inspection sample size: Applicable, except the following minimum test samples shall be provided for each connector series:

Eight jam-nut low-profile bulkhead-mount connectors with appropriate mating connectors to facilitate testing.

Lens scratch resistance: Lenses shall have a surface quality of 60 -40 and shall pass the scratch and dig requirement of MIL-PRF-13830.

Intermateability and interoperability tests apply, with the following additional requirements. Units shall mate and perform with standards maintained by the qualifying activity.

Nuclear, biological, and chemical decontamination: Nuclear, biological, and chemical decontamination requirement shall be demonstrated through the following:

As a guide for design and material considerations, chapter 5 of MIL-HDBK-783 may be used.

Electromagnetic effects: Electromagnetic effects testing of plugs mated to qualified receptacles and receptacles mated to protective caps shall be conducted as follows. The test specimens (including terminated cable) shall be tested to determine the propagation characteristics (attenuation or conduction) of the specimen assembly. The shielding effectiveness of a shielded enclosure shall be verified in accordance with the procedures specified in IEEE-299 at the discrete frequencies specified in table VI with the test specimen mounted in position. The qualified receptacle shall be mounted into the wall (panel) of the shielded enclosure such that the plug mates from the inside of the shielded enclosure. The cable(s) from the plug and receptacle shall be extended parallel to the test specimen for a minimum of 2 meters on each side of the enclosure wall (panel). The dynamic range of the test setup shall be measured as specified in IEEE-299 at each discrete frequency specified in table VI. The measured level of radio frequency (RF) propagation through the test specimen installed in the shielded enclosure shall be determined in accordance with the procedures specified in IEEE-299 at each discrete frequency specified in table VI.

TABLE VI. Electromagnetic effects test frequencies.

Field propagation	Test frequencies
H field	150 kHz 14 MHz
Plane wave	400 MHz 1 GHz
Microwave	10 GHz

Antenna placement. Antenna types and placement distances shall conform to table VII and table VIII respectively. Matched antennas shall be used for each measurement. Placement distances are specified in IEEE-299 for both antennas to test specimen connectors and the wall (panel) of the shielded enclosure. The transmitting antenna shall be oriented in both the parallel (horizontal) and perpendicular (vertical) directions for each frequency listed in table VI. Energy from the transmitting antenna shall be maximized by positioning the antenna parallel along the test specimen cable length and perpendicular along the test specimen cable circumference. The sensitivity of the receiving antenna shall be maximized by measuring both end view and side (length) view with a constant rotation between the horizontal and vertical antenna positions. For plane wave measurements in the perpendicular direction, the transmit antenna shall be 1 meter above the test specimen cable.

TABLE VII. Antenna types.

Field propagation	Antenna type
H field	Horn
Plane wave	Log periodic or dipole
Microwave	Horn

TABLE VIII. Antenna placement distances. 1/

Location	Placement
Receiving antenna to test specimen cable	5 cm
Transmitting antenna to test specimen cable	1 m
Transmitting antenna to shielded enclosure	2 m

1/ Extended dipole antenna distance measurements shall be made from the center of the antenna elements.

When tested, the propagated radio frequency (RF) attenuation of the connector shall be not less than 60 dB for frequencies not greater than 10 GHz.

Referenced documents. In addition to MIL-DTL-83526, this specification sheet references the following documents

MIL-A-8625	ASTM-B633	TIA/EIA-455-16
MIL-HDBK-783	ASTM B733	TIA/EIA-455-32
MIL-PRF-13830	EIA/TIA-455-42	TIA/EIA-455-71
MIL-PRF-85045	IEEE 299	TIA/EIA-455-74
MIL-STD-889	ISO 2903	TIA/EIA-455-171

Custodians:

Army - CR
Navy - SH
Air Force - 85

Preparing activity:

DLA - CC

(Project 6060-2005-001)

Review activities:

Navy - AS
Air Force - 13, 19, 93
NASA - NA
MISC - DI

NOTE: The activities listed above were interested in this document as of the date of this document. Since organizations and responsibilities can change, you should verify the currency of the information above using the ASSIST Online database at <http://assist.daps.dla.mil/>.