

INCH-POUND

MIL-PRF-28876/12E
4 October 2004
SUPERSEDING
MIL-C-28876/12D
9 July 1992

PERFORMANCE SPECIFICATION SHEET

CONNECTORS, FIBER OPTIC, CIRCULAR, RECEPTACLE STYLE,
MULTIPLE REMOVABLE TERMINI, SCREW THREADS, JAMNUT MOUNTING
WITH STRAIGHT BACKSHELL, ENVIRONMENT RESISTING

This specification is approved for use by all Departments
and Agencies of the Department of Defense.

The requirements for acquiring fiber optic connectors described
herein shall consist of this specification sheet and MIL-PRF-28876.

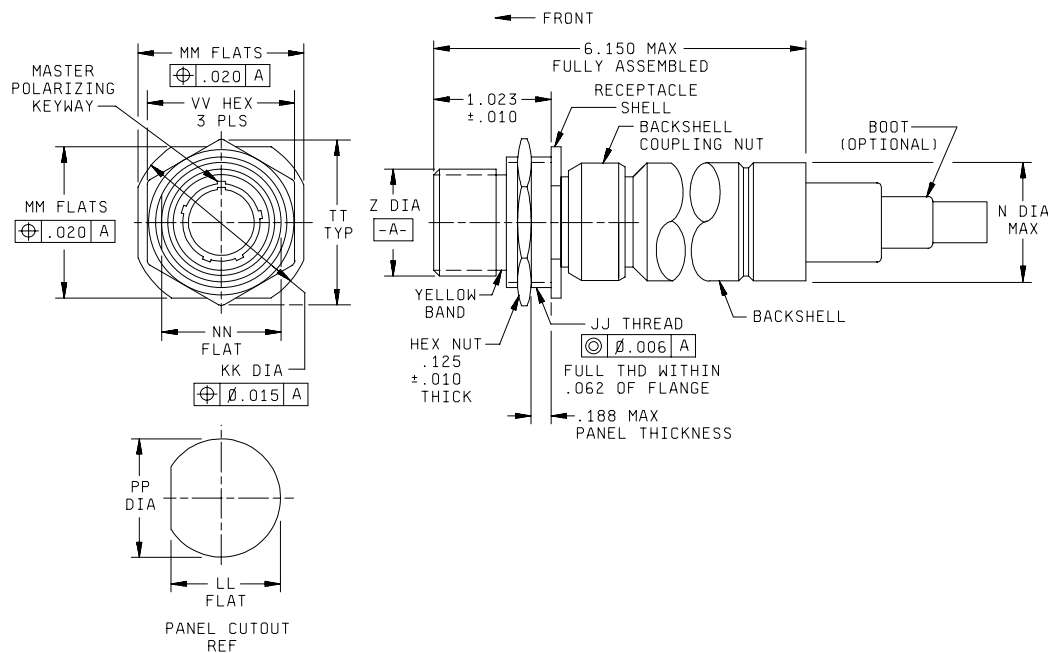


FIGURE 1. Jamnut receptacle connector with straight backshell.

Shell size 6/	N dia max	LL	KK	MM	Z dia max	NN flat	PP dia	TT hex corner max	VV hex nut	JJ thread class 2A	Insert figure 5/
11	.960 (24.38)	.853 (21.67)	1.368 (34.75)	1.274 (32.36)	.750 (19.05)	.841 (21.36)	.890 (22.61)	1.290 (32.77)	1.079 (27.41)	.875-20 UNEF	B-1
		.843 (21.41)	1.348 (34.24)	1.254 (31.85)		.832 (21.13)	.880 (22.35)		1.045 (26.54)		
13	1.085 (27.56)	.978 (24.84)	1.508 (38.30)	1.399 (35.53)	.875 (22.23)	.966 (24.54)	1.015 (25.78)	1.435 (36.45)	1.205 (30.61)	1.000-20 UNEF	B-2
		.968 (24.59)	1.488 (37.80)	1.379 (35.03)		.957 (24.31)	1.005 (25.53)		1.171 (29.74)		
15	1.257 (31.93)	1.165 (29.59)	1.681 (42.70)	1.587 (40.31)	1.062 (26.97)	1.153 (29.29)	1.203 (30.56)	1.650 (41.91)	1.392 (35.36)	1.1875-18 UNEF	B-3 or B-4
		1.155 (29.34)	1.661 (42.19)	1.567 (39.80)		1.144 (29.06)	1.193 (30.30)		1.358 (34.49)		
23	1.763 (44.78)	1.598 (40.59)	2.108 (53.54)	2.014 (51.16)	1.500 (38.10)	1.587 (40.31)	1.635 (41.53)	2.093 (53.16)	1.812 (46.02)	1.625-18 UNEF	B-5 or B-6
		1.588 (40.34)	2.088 (53.04)	1.994 (50.65)		1.578 (40.08)	1.625 (41.28)		1.778 (45.16)		

2

MIL-PRF-28876/12E

NOTES:

1. Dimensions are in inches.
2. Metric equivalents are given for general information only.
3. Metric equivalents (mm) are in parentheses.
4. Dimensions apply to plated/finished part.
5. For insert arrangement, see the indicated figure in appendix B of MIL-PRF-28876.
6. The color band shall be yellow and in accordance with EIA-359 for all shell sizes.

FIGURE 1. Jamnut receptacle connector with straight backshell - Continued.

MIL-PRF-28876/12E

REQUIREMENTS:

Dimensions and configurations: See figure 1 herein and MIL-PRF-28876 appendix A, figures A-2, figure A-6, and figure A-7.

Weight (without termini):

<u>Shell size</u>	<u>Weight (ounces, (gram)), maximum</u>
11	8.0 ounces (226.8 g)
13	9.0 ounces (255.15 g)
15	13.0 ounces (368.55 g)
23	25.0 ounces (708.75 g)

Fiber optic cable:

Cable diameter: .315 ± .020 inch (8.00 ± 0.51 mm), .425 ± .043 inch (10.80 ± 1.09 mm), or .817 ± .049 inch (20.75 ± 1.24 mm).

Protective caps: Each connector shall be supplied with protective caps over the front and rear portions of the connector.

Insert arrangement: See appendix B of MIL-PRF-28876 for desired shell size.

Termini: Style P (pin) or S (socket). See MIL-PRF-29504/1, MIL-PRF-29504/2, MIL-PRF-29504/12, MIL-PRF-29504/13, MIL-PRF-29504/14, and MIL-PRF-29504/15 (For dummy terminus, see MIL-PRF-29504/3).

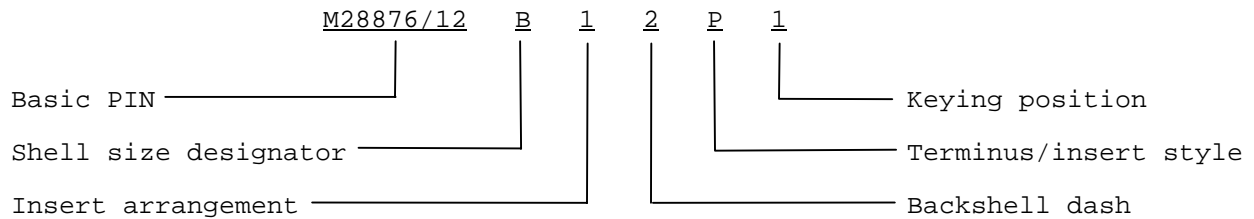
Cleaning procedures: Each shipment of connectors shall include recommended cleaning procedures. The following wording or equivalent is recommended: "To clean, use lint free wipe dampened with alcohol and blow dry with air".

Sealing gasket and o-ring: The receptacle shall include a sealing gasket or o-ring to seal between the receptacle flange and the mounting panel.

Shell polarization: 1 through 6 keyway positions. See MIL-PRF-28876 appendix A, figure A-3.

Marking:

Part or Identifying Number (PIN): Marked on flange of receptacle (see table I).



MIL-PRF-28876/12E

Mating counterpart: Plug connectors specified in MIL-PRF-28876/6 through MIL-PRF-28876/9.

Installation and removal tools: As specified in NAVSEA drawing 6872813.

For qualified products listing, quality conformance, and periodic inspections, dummy termini shall be used in all unused cavities.

TABLE I. PIN designators.

Shell size	Designator	Insert arrangement number	Terminus/insert style	Key position	Maximum cable outer diameter in accordance with backshell dash number		
					-1	-2	-3
11	A	1	P or S	1, 2, 3, 4, 5, or 6	.250 (6.35)	.346 (8.79)	
13	B	1	P or S	1, 2, 3, 4, 5, or 6	.285 (7.24)	.346 (8.79)	.453 (11.50)
15	C	1 or 2	P or S	1, 2, 3, 4, 5, or 6	.500 (12.70)	.250 (6.35)	.375 (9.53)
23	F	1 or 2	P or S	1, 2, 3, 4, 5, or 6	.866 (22.00)	1.000 (25.40)	.600 (15.24)

Patent notice: The Government does not have a royalty-free license under the following patents for the benefit of manufacturers of the item, either for the Government or for use in equipment to be delivered to the Government:

Patent application no.

Patent expiration date

US (65,032)

11/17/2004

NOTES:

Marginal notations are not used in this revision to identify changes with respect to the previous issue due to the extent of the changes.

Referenced documents. In addition to MIL-PRF-28876, this specification sheet references the following documents:

MIL-PRF-28876/6

MIL-PRF-28876/7

MIL-PRF-28876/8

MIL-PRF-28876/9

MIL-PRF-29504/1

MIL-PRF-29504/2

MIL-PRF-29504/3

MIL-PRF-29504/12

MIL-PRF-29504/13

MIL-PRF-29504/14

MIL-PRF-29504/15

NAVSEA drawing 6872813

EIA-359

(Copies of this document are available from www.eia.org or Electronic Industries Alliance (EIA), 2500 Wilson Boulevard, Arlington VA 22201-3834.)

MIL-PRF-28876/12E

CONCLUDING MATERIAL

Custodians:

Army - CR
Navy - SH
Air Force - 11
DLA - CC

Preparing activity:

Navy-SH

Agent:

DLA - CC

Review activities:

Navy - AS
Air Force - 13, 19, 93, 99
DIA - DI
NASA - NA

(Project 6060-0144-12)

NOTE: The activities listed above were interested in this document on the date of this document. Since organizations and responsibilities can change, you should verify the currency of the information above using the ASSIST Online database at <http://www.dodssp.daps.mil/>.