

INCH-POUND

MIL-PRF-28876/11E
 4 October 2004
 SUPERSEDING
 MIL-C-28876/11D
 9 July 1992

PERFORMANCE SPECIFICATION SHEET

CONNECTORS, FIBER OPTIC, CIRCULAR, RECEPTACLE STYLE,
 MULTIPLE REMOVABLE TERMINI, SCREW THREADS,
 JAMNUT MOUNTING, WITHOUT BACKSHELL, ENVIRONMENT RESISTING

This specification is approved for use by all Departments
 and Agencies of the Department of Defense.

The requirements for acquiring fiber optic connectors described
 herein shall consist of this specification sheet and MIL-PRF-28876.

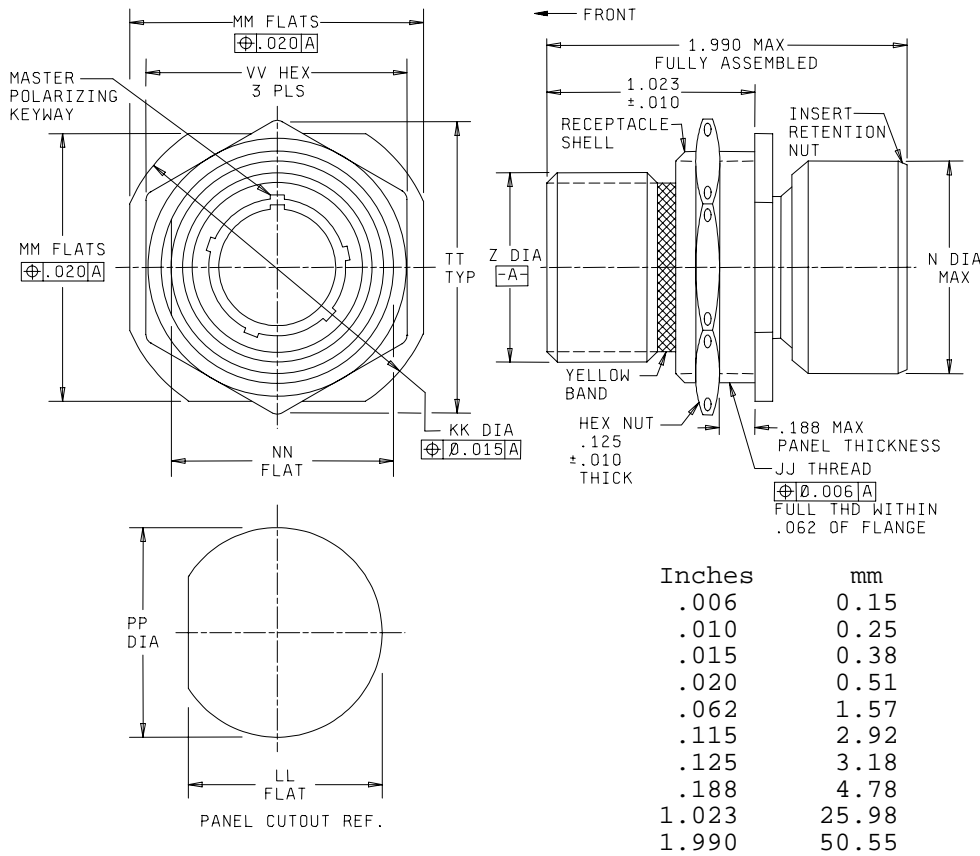


FIGURE 1. Jamnut receptacle connector.

Shell size 6/	N dia max	LL	KK	MM	Z dia max	NN flat	PP dia	TT hex corner max	VV hex nut	JJ thread class 2A	Insert figure 5/
11	.960 (24.38)	.853 (21.67)	1.368 (34.75)	1.274 (32.36)	.750 (19.05)	.841 (21.36)	.890 (22.61)	1.290 (32.77)	1.079 (27.41)	.875-20 UNEF	B-1
		.843 (21.41)	1.348 (34.24)	1.254 (31.85)		.832 (21.13)	.880 (22.35)		1.045 (26.54)		
13	1.085 (27.56)	.978 (24.84)	1.508 (38.30)	1.399 (35.53)	.875 (22.22)	.966 (24.54)	1.015 (25.78)	1.435 (36.45)	1.205 (30.61)	1.000-20 UNEF	B-2
		.968 (24.59)	1.488 (37.80)	1.379 (35.03)		.957 (24.31)	1.005 (25.53)		1.171 (29.74)		
15	1.255 (31.88)	1.165 (29.59)	1.681 (42.70)	1.587 (40.31)	1.062 (26.97)	1.153 (29.29)	1.203 (30.56)	1.650 (41.91)	1.392 (35.36)	1.1875-18 UNEF	B-3 or B-4
		1.155 (29.34)	1.661 (42.19)	1.567 (39.80)		1.144 (29.06)	1.193 (30.30)		1.358 (34.49)		
23	1.703 (43.26)	1.598 (40.59)	2.108 (53.54)	2.014 (51.66)	1.500 (38.10)	1.587 (40.31)	1.635 (41.53)	2.093 (53.16)	1.812 (46.02)	1.625-18 UNEF	B-5 or B-6
		1.588 (40.34)	2.088 (53.04)	1.994 (50.65)		1.578 (40.08)	1.625 (41.28)		1.778 (45.16)		

NOTES:

1. Dimensions are in inches.
2. Metric equivalents are given for general information only.
3. Metric equivalents (mm) are in parentheses.
4. Dimensions apply to plated/finished part.
5. For insert arrangement, see the indicated figure in appendix B of MIL-PRF-28876.
6. The color band shall be yellow and in accordance with EIA-359 for all shell sizes.
7. Connector insert retention nut internal configuration not shown. The insert retention nut shall be in accordance with figure A-8 of MIL-PRF-28876.

FIGURE 1. Jamnut receptacle connector - Continued.

MIL-PRF-28876/11E

REQUIREMENTS:

Dimensions and configurations: See figure 1 and MIL-PRF-28876 appendix A, figure A-2, and figure A-6.

Weight (without termini):

<u>Shell size</u>	<u>Weight (ounces, (gram)), maximum</u>
11	2.0 ounces (56.7g)
13	2.5 ounces (70.875 g)
15	3.0 ounces (85.05 g)
23	4.3 ounces (121.905 g)

Fiber optic cable:

Cable diameter: .094 inch (2.39 mm) maximum.

Protective caps: Each connector shall be supplied with protective caps over the front and rear portions of the connector.

Insert arrangement: See appendix B of MIL-PRF-28876 for desired shell size.

Termini: Style P (pin) or S (socket). See MIL-PRF-29504/1, MIL-PRF-29504/2, MIL-PRF-29504/12, MIL-PRF-29504/13, MIL-PRF-29504/14, and MIL-PRF-29504/15 (For dummy terminus, see MIL-PRF-29504/3).

Insert retention nut: Unless otherwise specified in the Part and Identifying Number (PIN), supplied with the connector.

Light duty backshell: Supplied in lieu of an insert retention nut when specified in the PIN. Light duty backshell shall be in accordance with MIL-PRF-28876/30.

EMI retention nut: Supplied in lieu of an insert retention nut when specified in the PIN. EMI retention nut shall be in accordance with MIL-PRF-28876/31.

Cleaning procedures: Each shipment of connectors shall include recommended cleaning procedures. The following wording or equivalent is recommended: "To clean, use lint free wipe dampened with alcohol and blow dry with air".

Shell polarization: 1 through 6 keyway positions. See MIL-PRF-28876 appendix A, figure A-3.

Marking:

Part or Identifying Number (PIN): Marked on flange of receptacle (see table I).

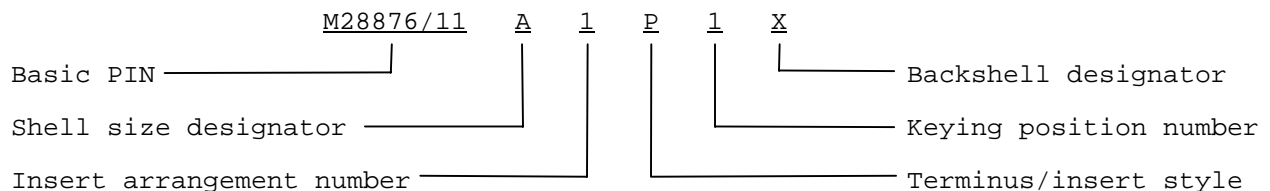


TABLE I. PIN designators.

Shell size	Shell size designator	Insert arrangement number	Terminus/insert style	Key position	Backshell designator
11	A	1	P or S	1, 2, 3, 4, 5, or 6	N, L, E, or blank
13	B	1	P or S	1, 2, 3, 4, 5, or 6	N, L, E, or blank
15	C	1 or 2	P or S	1, 2, 3, 4, 5, or 6	N, L, E, or blank
23	F	1 or 2	P or S	1, 2, 3, 4, 5, or 6	N, L, E, or blank

TABLE II. Backshell designators.

Backshell designator	Receptacle configured with a
Blank	Insert retention nut
N	No insert retention nut
L	Light duty backshell
E	EMI backshell

Sealing gasket or o-ring: The receptacle shall include a sealing gasket or o-ring to seal between the receptacle flange and the mounting panel.

Mating counterpart: Plug connectors specified in MIL-PRF-28876/6 through MIL-PRF-28876/9.

Installation and removal tools: As specified in NAVSEA drawing 6872813.

For qualified products listing, quality conformance, and periodic inspections, dummy termini shall be used in all unused cavities.

MIL-PRF-28876/11E

Patent notice: The Government does not have a royalty-free license under the following patents for the benefit of manufacturers of the item, either for the Government or for use in equipment to be delivered to the Government:

<u>Patent application no.</u>	<u>Patent expiration date</u>
US (65,032)	11/17/2004

NOTES:

Marginal notations are not used in this revision to identify changes with respect to the previous issue due to the extent of the changes.

Referenced documents. In addition to MIL-PRF-28876, this specification sheet references the following documents:

MIL-PRF-28876/6	MIL-PRF-28876/7	MIL-PRF-28876/8
MIL-PRF-28876/9	MIL-PRF-29504/1	MIL-PRF-29504/2
MIL-PRF-29504/3	MIL-PRF-29504/12	MIL-PRF-29504/13
MIL-PRF-29504/14	MIL-PRF-29504/15	
NAVSEA drawing 6872813		
EIA-359		

CONCLUDING MATERIAL

Custodians:

Army - CR
Navy - SH
Air Force - 11
DLA - CC

Preparing activity:
Navy-SH

Agent:
DLA - CC

Review activities:

Navy - AS
Air Force - 13, 19, 93, 99
DIA - DI
NASA - NA

(Project 6060-0144-11)

NOTE: The activities listed above were interested in this document on the date of this document. Since organizations and responsibilities can change, you should verify the currency of the information above using the ASSIST Online database at <http://www.dodssp.daps.mil/>.